

# UP Storage SuperServer SSG-540P-E1CTR36H



More details here

## Key Applications

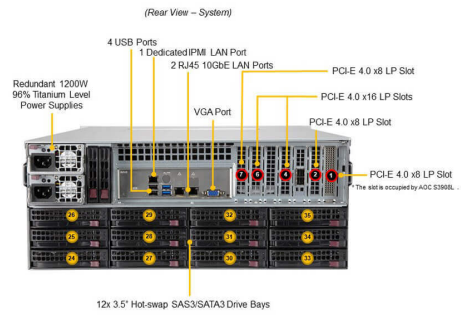
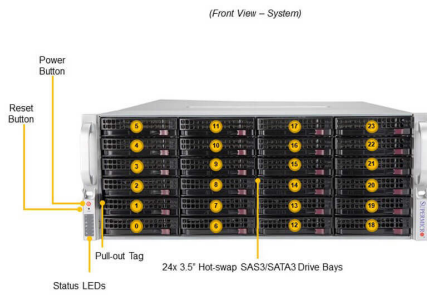
Enterprise Server, Database Processing & Storage, Appliance Optimized Storage,

## Key Features

- Single Socket P+ (LGA-4189) 3rd Gen Intel® Xeon® Scalable processors. Up to 270W TDP.;
- 8 DIMMs; Supports 3DS DDR4-3200: RDIMM/LRDIMM/Intel® DCPMM;
- 2 PCIe 4.0 x16 (LP) slots, 2 PCIe 4.0 x8 (LP) slots;
- Intel® Ethernet Controller X550 2x 10GbE RJ45;
- 36x Hot-swap 3.5" SAS3/SATA3 drive bays (24 front + 12 rear), Onboard 1x NVMe/SATA M.2; 2x Hot-swap 2.5" NVMe/SATA (rear, optional); 2x Internal fixed bay support up to 4x 2.5" drive bays (optional);
- Redundant Titanium 1200W Power Supply;



Form Factor	4U Rackmount Enclosure: 437 x 178 x 699mm (17.2" x 7" x 27.5") Package: 656 x 445 x 1003mm (27" x 17.5" x 39.5")
Processor	Single Socket P+ (LGA-4189) 3rd Gen Intel® Xeon® Scalable processors Up to 40C/80T; Up to 60MB Cache
System Memory	Slot Count: 8 DIMM slots Max Memory (2DPC): Up to 2TB 3200MT/s ECC DDR4 RDIMM/LRDIMM Supports Intel® Optane™ persistent memory 200 series
Drive Bays	36x 3.5" hot-swap SATA/SAS drive bays 1x PCIe 3.0 x4 and SATA Form Factor: 2280, 22110 Key: M-key
Expansion Slots	2 PCIe 4.0 x8 LP slot(s) 2 PCIe 4.0 x16 LP slot(s)
On-Board Devices	SATA: SATA3 (6Gbps) via C621A Chipset; RAID 0, 1, 5, 10 support SAS: SAS3 (12Gbps) via Broadcom 3908; RAID 0, 1, 5, 6, 10, 50, 60 support Chipset: Intel® C621A Network Connectivity: 2x 10GbE BaseT with Intel® X550 IPMI: Support for Intelligent Platform Management Interface v.2.0 IPMI 2.0 with virtual media over LAN and KVM-over-LAN support
Input / Output	LAN: 1 RJ45 Dedicated IPMI LAN port 2 RJ45 10GBase-T LAN ports USB: 4 USB 2.0 port(s) (2 rear; 2 headers) 5 USB 3.2 Gen 1 port(s) (2 rear; 2 headers; 1 Type A) Video: 1 VGA port(s) Serial Port: 1 COM Port(s) (1 header) DOM: 2 SuperDOM (Disk on Module) port with built-in power



System Cooling	Fans: 7x (8cm x8cm x3.8cm) heavy duty fans with optimal fan speed control Air Shroud: 1 Air Shroud(s)
Power Supply	1200W Redundant Titanium Level power supplies
System BIOS	BIOS Type: AMI 32MB SPI Flash EEPROM
Management	Redfish API; Supermicro Server Manager (SSM); Supermicro Power Manager (SPM); Supermicro Update Manager (SUM); SuperDoctor® 5; Super Diagnostics Offline ; KVM with dedicated LAN ; IPMI 2.0
PC Health Monitoring	CPU: Monitors for CPU Cores, Chipset Voltages, Memory 7+1 Phase-switching voltage regulator module (VRM) FAN: Fans with tachometer monitoring Status monitor for speed control Pulse Width Modulated (PWM) fan connectors Temperature: Monitoring for CPU and chassis environment Thermal Control for fan connectors
Dimensions and Weight	Height: 7" (178 mm) Width: 17.2" (437 mm) Depth: 27.5" (699 mm) Gross Weight: 102.5 lbs (46.4 kg) Net Weight: 66.5 lbs (29.7 kg) Packaging: 17.5" (H) x 27" (W) x 39.5" (D) Available Color: Black
Operating Environment	Operating Temperature: 10°C ~ 35°C (50°F ~ 95°F) Non-operating Temperature: -40°C to 70°C (-40°F to 158°F) Operating Relative Humidity: 8% to 90% (non-condensing) Non-operating Relative Humidity: 5% to 95% (non-condensing)
Motherboard	<a href="#">Super X12SPI-TF</a>
Chassis	CSE-847BTS-R1K23LPBP4